

Dialogic® D/120JCT-LS Media Board

Dialogic®

Part Number
64-0014-02
Copyright © 2000-2007
Dialogic Corporation.
All Rights Reserved.

1. Protecting the Board from Damage

CAUTION! All computer boards are sensitive to electrostatic discharge (“ESD”). Handle all static-sensitive boards and components at a static-safe work area, and observe anti-static precautions at all times.

If you are not familiar with ESD safety precautions, visit <http://www.dialogic.com/support/hwinstall> to learn more.

Unpacking the Board

Unpack the Dialogic® D/120JCT-LS board (“board”) according to the following steps:

1. Prepare a static-safeguarded work area.
2. Carefully remove the board from the shipping carton and anti-static packaging. Handle the board by the edges and avoid touching the board’s components.
3. Lay the board on the static-dissipative work surface.

Note: Place boards in static-shielding bags when carrying boards from station to station.

CAUTION: Do not remove the board from the anti-static packaging until you are ready to install it. Observe proper anti-static precautions at all times.

2. Installation Order

Dialogic recommends that you install Dialogic® hardware before Dialogic® software. However, if you are adding hardware to an existing system, you do not need to uninstall existing Dialogic software.

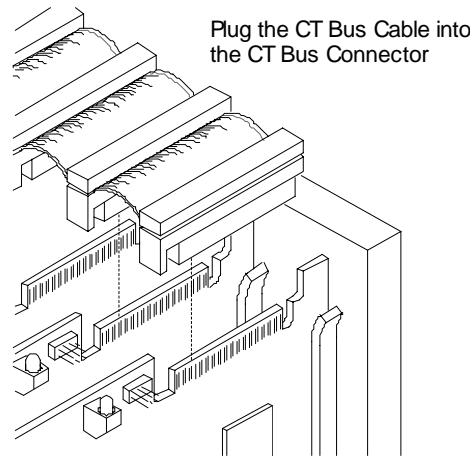
3. Set the Hardware Switches

Dialogic® boards use Plug and Play technology, including hardware auto-configuration for IRQ and memory address. These boards allow you to use the factory default hardware settings for quick installation and operation. However, Dialogic recommends that you review the following information and select options as desired.

IMPORTANT: More than one PCI board may be set to ID 0. For more information, contact Dialogic Support at <http://www.dialogic.com/support/helpweb/>.

Connecting the CT Bus Cable

Use the CT Bus cable to connect the Dialogic® D/120JCT-LS board with the other boards in the system.



Plug the CT Bus cable into the CT Bus connector. To connect to the SCbus, use the CT Bus to SCbus adapter (Part Number 882-757-xx) and follow the instructions included with the adapter.

Install the CT Bus/SCbus Adapter

Align pin 1 of the adapter with pin 1 of the edge connector on the board. **NOTE:** Edge connector is not labeled.

Press the CT Bus/SCbus Adapter to the board.

Connect the CT Bus and SCbus cables as per the installation instructions for your Dialogic® board(s).

Board Numbering

When you start Dialogic® boards, each board is assigned a sequential number for identification and use by the application program. The board number is based on the board ID that is set through hardware switches on the board (rotary switch SW100). Set the board ID switches to select the board sequencing method as follows:

Geographical Sequence (by PCI Bus and Slot Number) Board ID 0 (factory default)

All Dialogic® PCI boards can share the factory default setting of board ID 0. Board numbers will be assigned in ascending order based on the PCI bus and slot number.

If you add a board to the system, it could change the Dialogic® board numbering, depending upon the PCI bus and slot number where you install it. Also, PCI boards that use ID 0 for the geographical numbering sequence will be numbered before boards that use board IDs 1-9, A-F. The geographical method is not available for ISA bus boards.

Programmable Sequence (by Dialogic® Board ID): Board IDs 1-9, A-F

In addition to the geographical assignment method, the programmable assignment method can be used to further identify the boards in your system.

If you change the board ID from the factory default of 0 to any other number, the software will use that setting to identify the board.

Important! When not set to 0, the board ID must be unique (it must not conflict with the board ID of any other Dialogic® ISA or PCI board which has been manually assigned). If you use this method, Dialogic recommends that you assign sequential numbers starting at 1. This method is also used for all ISA bus boards.

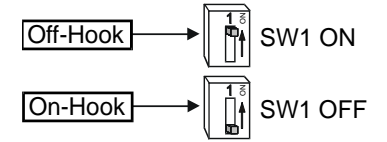
Precedence in Mixed Systems

In systems using both methods, or where both ISA and

PCI boards exist, PCI boards will take precedence and will be numbered before an ISA bus board that uses board IDs 1-9, A-F.

Set the Hook-Switch State for Start-Up (Optional)

Set the SW1 slide switch as follows to select how the board responds to an incoming call when the PC power is on, but the board is not initialized.

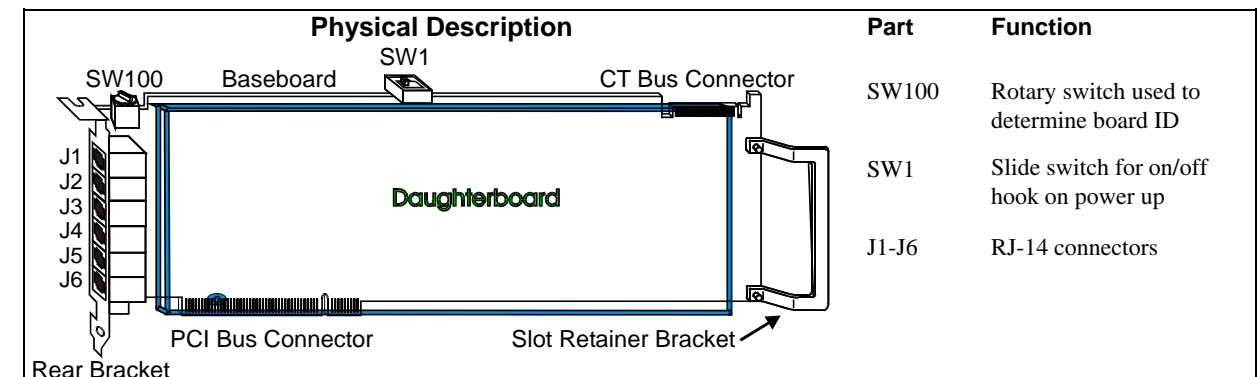
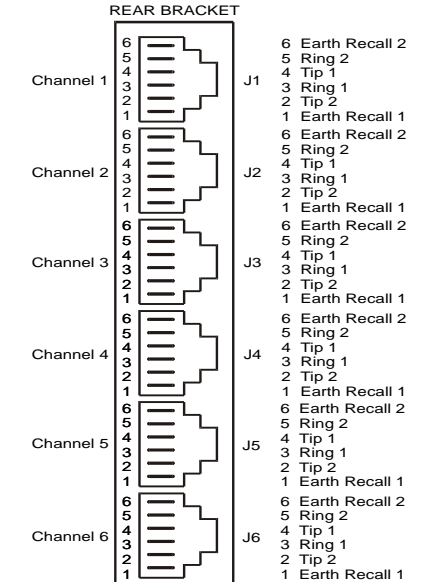


Connect External Cables

Each RJ-14 jack on the rear bracket of the voice board supports two channels. A standard telephone will not function when directly attached to the board.

Note: The RJ-14 jacks use 2 tip/ring pairs with 2 earth recalls, one for each channel.

RJ-14 Pinouts

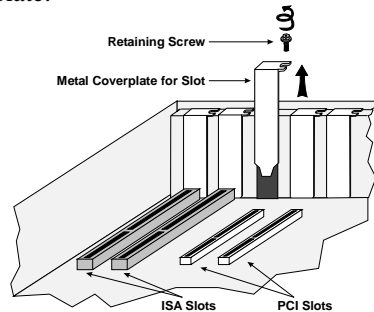


4. Install the Boards in the PC

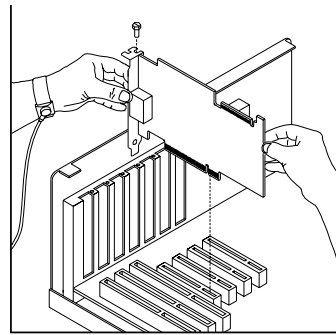
WARNING! To reduce the risk of electric shock: Switch off the power and remove power cords before opening the computer case. Do not re-attach power cords or switch on power to the computer while the computer case is removed. Refer to the Regulatory Notices section of this Quick Install Card for important installation information.

Install each board in the PC chassis using adjacent PCI slots according to the following instructions:

1. Turn off all power to the system, and disconnect the system's power cords from electrical outlets.
2. Remove the PC cover.
3. Select an empty PCI expansion bus slot, and remove the slot's retaining screw and access coverplate.



4. Insert the board's edge connector into the bus slot. Apply pressure only to the top edge of the board, and gently rock the board forward and backward to seat the edge connector into the slot.



5. Install the retaining screw.
6. Select a new slot and repeat steps 3 through 5 for each board you are installing. Replace the PC cover when finished.

5. Install Software, Configure and Test

1. Install the Dialogic® software release and configure the Dialogic® boards as described in the software installation documentation. Your application software or Dialogic® software release may have special installation or configuration instructions or requirements. Be sure to read this information before you install the software.

6. Warranty and Return Information

For technical specifications and product information, see the Dialogic website at <http://www.dialogic.com/products.htm>.

Warranty Period

For specific warranty information for this board, refer to the Warranty section of the Products page, located at this URL: <http://www.dialogic.com/warranties/>.

Contacting Technical Support

Dialogic provides technical support for its products through a network of value added distributors who are trained to answer technical questions on installing and configuring Dialogic® products. If you are unsure how

to contact your support channel, please call Dialogic in the United States at 973-967-6600 (9am-5pm EST) and we will assist in obtaining the appropriate support channel. Outside the United States please refer to <http://www.dialogic.com/support/contact> to obtain local contact information.

Dialogic also provides direct support via Dialogic® Pro™ Services agreements. For more details of direct support from Dialogic please refer to: <http://www.dialogic.com/support/DialogicPro>.

Returning a Product

To return a board for warranty repair or any other returns, please refer to the following: <http://www.dialogic.com/support/hwfaults>.

7. Sales Assistance

If you have a sales question, please contact your local Sales Representative or the Regional Sales Office for your area. Address, telephone and fax numbers, are available at the Dialogic website located at: <http://www.dialogic.com/contact.htm>.

To purchase Dialogic® products, please refer to the following website to locate the appropriate supplier: <http://www.dialogic.com/purchase.htm>.

All contents of this document are furnished for informational use only and are subject to change without notice and do not represent a commitment on the part of Dialogic Corporation or its subsidiaries ("Dialogic"). Reasonable effort is made to ensure the accuracy of the information contained in the document. However, Dialogic does not warrant the accuracy of this information and cannot accept responsibility for errors, inaccuracies or omissions that may be contained in this document.

INFORMATION IN THIS DOCUMENT IS PROVIDED IN CONNECTION WITH DIALOGIC® PRODUCTS. NO LICENSE, EXPRESS OR IMPLIED, BY ESTOPPEL OR OTHERWISE, TO ANY INTELLECTUAL PROPERTY RIGHTS IS GRANTED BY THIS DOCUMENT. EXCEPT AS PROVIDED IN A SIGNED AGREEMENT BETWEEN YOU AND DIALOGIC, DIALOGIC ASSUMES NO LIABILITY WHATSOEVER, AND DIALOGIC DISCLAIMS ANY EXPRESS OR IMPLIED WARRANTY, RELATING TO SALE AND/OR USE OF DIALOGIC PRODUCTS INCLUDING LIABILITY OR WARRANTIES RELATING TO FITNESS FOR A PARTICULAR PURPOSE, MERCHANTABILITY, OR INFRINGEMENT OF ANY INTELLECTUAL PROPERTY RIGHT OF A THIRD PARTY.

Dialogic products are not intended for use in medical, life saving, life sustaining, critical control or safety systems, or in nuclear facility applications.

It is possible that the use or implementation of any one of the concepts, applications, or ideas described in this document, in marketing collateral produced by or on web pages maintained by Dialogic may infringe one or more patents or other intellectual property rights owned by third parties. Dialogic does not provide any intellectual property licenses with the sale of Dialogic products other than a license to use such product in

accordance with intellectual property owned or validly licensed by Dialogic and no such licenses are provided except pursuant to a signed agreement with Dialogic. More detailed information about such intellectual property is available from Dialogic's legal department at 9800 Cavendish Blvd., 5th Floor, Montreal, Quebec, Canada H4M 2V9. **Dialogic encourages all users of its products to procure all necessary intellectual property licenses required to implement any concepts or applications and does not condone or encourage any intellectual property infringement and disclaims any responsibility related thereto. These intellectual property licenses may differ from country to country and it is the responsibility of those who develop the concepts or applications to be aware of and comply with different national license requirements.**

Dialogic, Diva, Eicon, Eicon Networks, Eiconcard and SIPcontrol, among others, are either registered trademarks or trademarks of Dialogic. Dialogic's trademarks may be used publicly only with permission from Dialogic. Such permission may only be granted by Dialogic's legal department at 9800 Cavendish Blvd., 5th Floor, Montreal, Quebec, Canada H4M 2V9. Any authorized use of Dialogic's trademarks will be subject to full respect of the trademark guidelines published by Dialogic from time to time and any use of Dialogic's trademarks requires proper acknowledgement. The names of actual companies and products mentioned herein are the trademarks of their respective owners.